



# NTL-313S NTH-613S

## Michaelangelo European Style MR16 Framing Projector

### LAMP WATTAGE

- (1) 50MR16ES 120V shielded 12V GU 10.0 (included with fixture)
- (2) 50MR16 12V GU 5.3 (not included)

### DESCRIPTION

Low voltage die cast aluminum picture framing projector consisting of diecast aluminum housing, four adjustment blades, and focusing lens. Horizontal adjustment friction locked, knob provided to lock vertical adjustment.

### FEATURES

- Die cast aluminum body allows bright 50W MR16 source
- Low profile, aesthetic design
- Four blades for precise definition around wall paintings
- Convex focusing lens to blur or sharpen frame borders
- One or two circuit track capable

### HOUSING

Main body consists of a two-piece cylindrical .080 die cast aluminum housing connected with two .20 finished stainless steel rods, locked with external stainless steel knobs. First housing contains socket; the second contains the focusing lens and blades. Two-piece construction allows replacement of MR16 lamp without disturbing the framing adjustments within the secondary cylinder. Two internal steel rods secure a rectangular porcelain MR16 socket in the most optimal setting for optical performance. Two high-tension springs hold a shielded MR16 light source in place.

### YOKE

.08 Rigid steel curved yoke connects fixture housing to integral transformer. Black plastic tightening knob maintains clean, decorative appearance of the fixture and provides secure angle position.

### FOCUSING LENS

1.47 Diameter, .46 thick double-convex optical glass. Sits inside .28 diecast cup with screw threads allowing the user to rotate the cup in either direction for focusing. Lens is held in place with a .07 stainless steel spring.

### CUTOFF BLADES

Four .01 stainless steel blades with black injection molded grips allow the user to "cut" light beam into a rectangular shape, and size the beam to match the border of a square or rectangular object such as a photograph or wall painting. Blades insert into slots on secondary housing.

### WIRING

Teflon coated wire lead connects socket and housing to electrical contact head. Teflon coating is durable and resists heat degradation from lamp and housing radiation.

### TRANSFORMER

Solid-state electronic transformer provides noise-free voltage reduction and operation. If dimming, use electronic low voltage rated only dimming controls. *\* If dimming, lamp manufacturers recommend burning the MR16 at full power for 100 consecutive hours prior to using dimming control. Failure to apply this precaution may reduce lamp life.*



### PRODUCT MATRIX

CATALOG NUMBER	FINISH	BASE	WATT	VOLT	INTEGRAL TRANSFORMER	LAMP INCLUDED*
NTL-313S	Silver	GU 5.3	50	12	YES	NO
NTH-613S	Silver	GU 10.0	50	120	NO	YES

\* Shielded GU 10.0 MR16ES 50W included only with 120V line voltage fixtures; lamps are not included with low voltage fixtures.

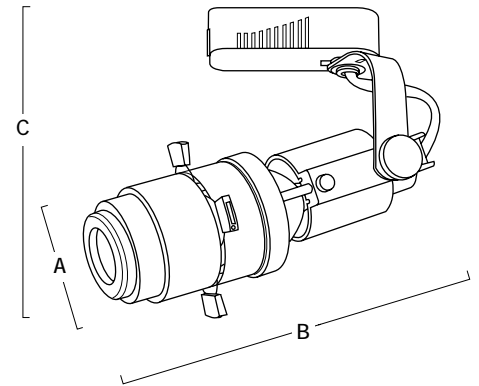
### DIMENSIONS

#### N T L - 3 1 3 S

A: Diameter	2-3/8"	(59 mm)
B: Length	7-3/16"	(183 mm)
C: Extension	9"	(23 cm)

#### N T H - 6 1 3 S

A: Diameter	2-3/8"	(59 mm)
B: Length	7-3/16"	(183 mm)
C: Extension	9-1/2"	(24 cm)



### LOW VOLTAGE MR16 GU 5.3 VERSUS LINE VOLTAGE MR16ES GU 10.0

FEATURES	120V MR16	12V MR16
Standard Incandescent Dimming	YES	NO
Requires Electronic Low Voltage Control	NO	YES
Wide Variety of Reflector Angles	NO	YES
Center Beam Candle Power (CBCP)*	1400	3000
Lamp Life**	2000+	3000+
Transformer Required	NO	YES

\* Based on 50W, 25° Beam Spread.

\*\* Lamp life is in estimated hours. Nora does not guarantee the longevity of lamp sources.

**NTL-313S NTH-613S**



## **Michaelangelo European Style MR16 Framing Projector**

Integral Unit - 120V/60Hz Input; 12V Output; 50VA  
Max. Load

### **SOCKET**

Porcelain socket for GU 5.3 12V MR16 lamp, porcelain socket for 120V 50 MR16ES GU10.0 lamp.

### **CONTACT HEAD ASSEMBLY**

Three .030 stainless steel contacts mounted to integral transformer.

### **ONE/TWO CIRCUIT CONVERSION**

Positive contact (opposite neutral and ground contacts) is preset to "down" position at factory, but may be raised to the higher position to install onto the second circuit of Nora Lighting NT-2300 series two-circuit track.

### **FINISHES**

Transformer is black; remainder of fixture is silver powder coat.

### **COMPATIBILITY**

Nora track fixtures are interchangeable with Halo, Catalina, Hampton Bay, Halo-Edison, or any other brands configured to Halo track system design. Note: fixtures may not be compatible with non-Nora transformers or monopoint adapters.

### **UL COMPLIANT**

UL Listed to Standard 1574 as Track Lighting Systems and Fittings