



LED Lightbar Accessories

For use with LED Lightbar and LED Lightbar Plus Series

Diffuser Lens

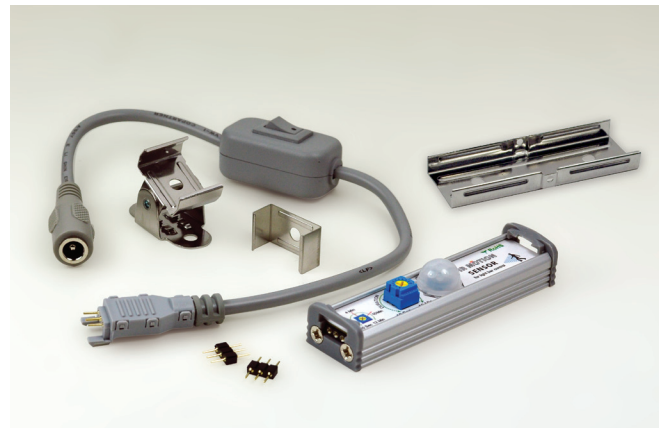
Nora Lighting's lightbar diffuser lens softens the LED image and diffuses the light. The lens is available in multiple lengths, easily attaches to Nora LED Lightbars and does not increase overall depth or width.



CATALOG. NO.	LENGTH	DESCRIPTION
NAL-299/6	6"	Diffuser Lens for LED Lightbar and LED Lightbar Plus
NAL-299/12	12"	Diffuser Lens for LED Lightbar and LED Lightbar Plus
NAL-299/24	24"	Diffuser Lens for LED Lightbar and LED Lightbar Plus
NAL-299/36	36"	Diffuser Lens for LED Lightbar and LED Lightbar Plus
NAL-299/48	48"	Diffuser Lens for LED Lightbar and LED Lightbar Plus

In-Line Motion Sensor

The LED Lightbar motion sensor automatically turns on lightbar(s) and remains on until motion is not detected. Light can be set to remain on for 10 seconds up to 12 minutes. Mounts on low voltage side of supply and can be attached to Lightbar or mounted remotely. Motion sensor accessory includes end to end connector, bar to bar joiner, flat mounting clip, adjustable mounting clip, and special power line interconnector* with in-line switch. Allows for direct wire control in pantries, closets, toe-ticks, work cabinets, armoires, self-service stations, etc.



CATALOG. NO.	VOLTAGE	FINISH
NAL-230	24V DC	(A) Aluminum, (BZ) Bronze

In-Line Dimmer Control

The dimmer control mounts on the low voltage side of supply and can be attached to the Lightbar or mounted remotely. Tap to turn on/off and hold to dim. In-line dimmer control accessory includes end to end connector, bar to bar joiner, flat mounting clip, and special power line interconnector*. Excellent for direct wire applications such as under-cabinets, work stations, cabinets, furniture, etc.



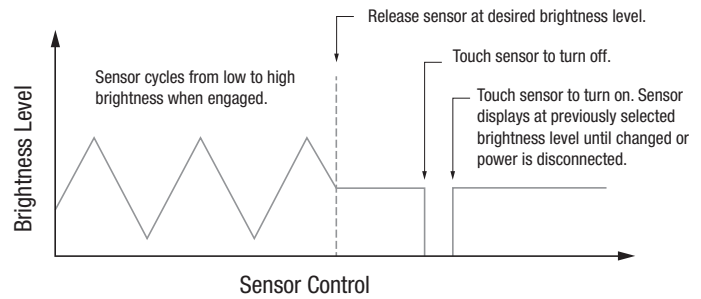
CATALOG. NO.	VOLTAGE	FINISH
NAL-255	24V DC	(A) Aluminum, (BZ) Bronze

**Use of the NAL-230 or NAL-255 require the system to be powered with the included power line interconnect.*

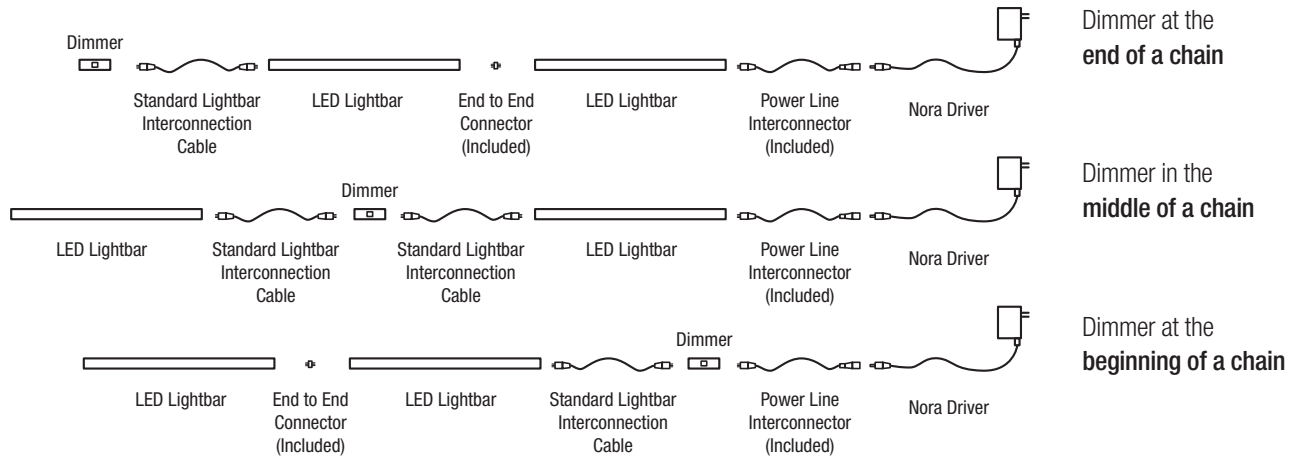
In-Line Dimmer Control

NAL-255A (Aluminum) or NAL-255BZ (Bronze)

A quick touch of the dimmer's sensor turns the light bar on and off. Continue to hold the sensor and the brightness level cycles from low to high. Release when desired brightness level is reached. The dimmer stores the previously selected brightness level until the unit is disconnected from the power supply. Systems controlled by a wall switch will still require a manual touch to turn the lightbar on.



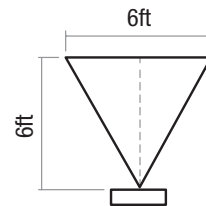
The in-line dimmer control can be installed at any location in a light bar chain or network:



In-Line Motion Sensor

NAL-230A (Aluminum) or NAL-230BZ (Bronze)

The motion sensor resets itself when switched on. During the reset period, the light bar remains lit for approximately 25 seconds. The motion sensor becomes active at the end of the reset period and turns the light bar on when it senses warm movement. The duration of the on period can be set from 10 seconds to 12 minutes.



Motion Sensor Range

The motion sensor can be installed at the beginning, end or middle of a light bar chain or network:

